

The Atlas Copco logo is positioned in the top right corner of the image. It consists of the brand name "Atlas Copco" in a white, italicized serif font, centered between two horizontal white bars. The background of the entire image is a close-up, high-angle shot of a metal turbine motor assembly, likely made of stainless steel, which is surrounded by a dense field of dark, metallic shavings. The lighting is dramatic, with a bright light source creating a lens flare effect on the upper part of the motor. The overall composition is industrial and technical.A technical drawing of a turbine motor is overlaid on a blue triangular graphic in the bottom left corner. The drawing shows a cross-section of the motor with various dimensions and labels. Key dimensions include 127.0 (64.21), 138.0 (64.43), 147.0 (73.5), 157.0 (78.5), 167.0 (83.5), 177.0 (88.5), 187.0 (93.5), 197.0 (98.5), 207.0 (103.5), 217.0 (108.5), 227.0 (113.5), 237.0 (118.5), 247.0 (123.5), 257.0 (128.5), 267.0 (133.5), 277.0 (138.5), 287.0 (143.5), 297.0 (148.5), 307.0 (153.5), 317.0 (158.5), 327.0 (163.5), 337.0 (168.5), 347.0 (173.5), 357.0 (178.5), 367.0 (183.5), 377.0 (188.5), 387.0 (193.5), 397.0 (198.5), 407.0 (203.5), 417.0 (208.5), 427.0 (213.5), 437.0 (218.5), 447.0 (223.5), 457.0 (228.5), 467.0 (233.5), 477.0 (238.5), 487.0 (243.5), 497.0 (248.5), 507.0 (253.5), 517.0 (258.5), 527.0 (263.5), 537.0 (268.5), 547.0 (273.5), 557.0 (278.5), 567.0 (283.5), 577.0 (288.5), 587.0 (293.5), 597.0 (298.5), 607.0 (303.5), 617.0 (308.5), 627.0 (313.5), 637.0 (318.5), 647.0 (323.5), 657.0 (328.5), 667.0 (333.5), 677.0 (338.5), 687.0 (343.5), 697.0 (348.5), 707.0 (353.5), 717.0 (358.5), 727.0 (363.5), 737.0 (368.5), 747.0 (373.5), 757.0 (378.5), 767.0 (383.5), 777.0 (388.5), 787.0 (393.5), 797.0 (398.5), 807.0 (403.5), 817.0 (408.5), 827.0 (413.5), 837.0 (418.5), 847.0 (423.5), 857.0 (428.5), 867.0 (433.5), 877.0 (438.5), 887.0 (443.5), 897.0 (448.5), 907.0 (453.5), 917.0 (458.5), 927.0 (463.5), 937.0 (468.5), 947.0 (473.5), 957.0 (478.5), 967.0 (483.5), 977.0 (488.5), 987.0 (493.5), 997.0 (498.5). The drawing also includes labels such as "C-C (1:3)", "Ø17", "Ø19", "Ø21", "Ø23", "Ø25", "Ø27", "Ø29", "Ø31", "Ø33", "Ø35", "Ø37", "Ø39", "Ø41", "Ø43", "Ø45", "Ø47", "Ø49", "Ø51", "Ø53", "Ø55", "Ø57", "Ø59", "Ø61", "Ø63", "Ø65", "Ø67", "Ø69", "Ø71", "Ø73", "Ø75", "Ø77", "Ø79", "Ø81", "Ø83", "Ø85", "Ø87", "Ø89", "Ø91", "Ø93", "Ø95", "Ø97", "Ø99", "Ø101", "Ø103", "Ø105", "Ø107", "Ø109", "Ø111", "Ø113", "Ø115", "Ø117", "Ø119", "Ø121", "Ø123", "Ø125", "Ø127", "Ø129", "Ø131", "Ø133", "Ø135", "Ø137", "Ø139", "Ø141", "Ø143", "Ø145", "Ø147", "Ø149", "Ø151", "Ø153", "Ø155", "Ø157", "Ø159", "Ø161", "Ø163", "Ø165", "Ø167", "Ø169", "Ø171", "Ø173", "Ø175", "Ø177", "Ø179", "Ø181", "Ø183", "Ø185", "Ø187", "Ø189", "Ø191", "Ø193", "Ø195", "Ø197", "Ø199", "Ø201", "Ø203", "Ø205", "Ø207", "Ø209", "Ø211", "Ø213", "Ø215", "Ø217", "Ø219", "Ø221", "Ø223", "Ø225", "Ø227", "Ø229", "Ø231", "Ø233", "Ø235", "Ø237", "Ø239", "Ø241", "Ø243", "Ø245", "Ø247", "Ø249", "Ø251", "Ø253", "Ø255", "Ø257", "Ø259", "Ø261", "Ø263", "Ø265", "Ø267", "Ø269", "Ø271", "Ø273", "Ø275", "Ø277", "Ø279", "Ø281", "Ø283", "Ø285", "Ø287", "Ø289", "Ø291", "Ø293", "Ø295", "Ø297", "Ø299", "Ø301", "Ø303", "Ø305", "Ø307", "Ø309", "Ø311", "Ø313", "Ø315", "Ø317", "Ø319", "Ø321", "Ø323", "Ø325", "Ø327", "Ø329", "Ø331", "Ø333", "Ø335", "Ø337", "Ø339", "Ø341", "Ø343", "Ø345", "Ø347", "Ø349", "Ø351", "Ø353", "Ø355", "Ø357", "Ø359", "Ø361", "Ø363", "Ø365", "Ø367", "Ø369", "Ø371", "Ø373", "Ø375", "Ø377", "Ø379", "Ø381", "Ø383", "Ø385", "Ø387", "Ø389", "Ø391", "Ø393", "Ø395", "Ø397", "Ø399", "Ø401", "Ø403", "Ø405", "Ø407", "Ø409", "Ø411", "Ø413", "Ø415", "Ø417", "Ø419", "Ø421", "Ø423", "Ø425", "Ø427", "Ø429", "Ø431", "Ø433", "Ø435", "Ø437", "Ø439", "Ø441", "Ø443", "Ø445", "Ø447", "Ø449", "Ø451", "Ø453", "Ø455", "Ø457", "Ø459", "Ø461", "Ø463", "Ø465", "Ø467", "Ø469", "Ø471", "Ø473", "Ø475", "Ø477", "Ø479", "Ø481", "Ø483", "Ø485", "Ø487", "Ø489", "Ø491", "Ø493", "Ø495", "Ø497", "Ø499", "Ø501", "Ø503", "Ø505", "Ø507", "Ø509", "Ø511", "Ø513", "Ø515", "Ø517", "Ø519", "Ø521", "Ø523", "Ø525", "Ø527", "Ø529", "Ø531", "Ø533", "Ø535", "Ø537", "Ø539", "Ø541", "Ø543", "Ø545", "Ø547", "Ø549", "Ø551", "Ø553", "Ø555", "Ø557", "Ø559", "Ø561", "Ø563", "Ø565", "Ø567", "Ø569", "Ø571", "Ø573", "Ø575", "Ø577", "Ø579", "Ø581", "Ø583", "Ø585", "Ø587", "Ø589", "Ø591", "Ø593", "Ø595", "Ø597", "Ø599", "Ø601", "Ø603", "Ø605", "Ø607", "Ø609", "Ø611", "Ø613", "Ø615", "Ø617", "Ø619", "Ø621", "Ø623", "Ø625", "Ø627", "Ø629", "Ø631", "Ø633", "Ø635", "Ø637", "Ø639", "Ø641", "Ø643", "Ø645", "Ø647", "Ø649", "Ø651", "Ø653", "Ø655", "Ø657", "Ø659", "Ø661", "Ø663", "Ø665", "Ø667", "Ø669", "Ø671", "Ø673", "Ø675", "Ø677", "Ø679", "Ø681", "Ø683", "Ø685", "Ø687", "Ø689", "Ø691", "Ø693", "Ø695", "Ø697", "Ø699", "Ø701", "Ø703", "Ø705", "Ø707", "Ø709", "Ø711", "Ø713", "Ø715", "Ø717", "Ø719", "Ø721", "Ø723", "Ø725", "Ø727", "Ø729", "Ø731", "Ø733", "Ø735", "Ø737", "Ø739", "Ø741", "Ø743", "Ø745", "Ø747", "Ø749", "Ø751", "Ø753", "Ø755", "Ø757", "Ø759", "Ø761", "Ø763", "Ø765", "Ø767", "Ø769", "Ø771", "Ø773", "Ø775", "Ø777", "Ø779", "Ø781", "Ø783", "Ø785", "Ø787", "Ø789", "Ø791", "Ø793", "Ø795", "Ø797", "Ø799", "Ø801", "Ø803", "Ø805", "Ø807", "Ø809", "Ø811", "Ø813", "Ø815", "Ø817", "Ø819", "Ø821", "Ø823", "Ø825", "Ø827", "Ø829", "Ø831", "Ø833", "Ø835", "Ø837", "Ø839", "Ø841", "Ø843", "Ø845", "Ø847", "Ø849", "Ø851", "Ø853", "Ø855", "Ø857", "Ø859", "Ø861", "Ø863", "Ø865", "Ø867", "Ø869", "Ø871", "Ø873", "Ø875", "Ø877", "Ø879", "Ø881", "Ø883", "Ø885", "Ø887", "Ø889", "Ø891", "Ø893", "Ø895", "Ø897", "Ø899", "Ø901", "Ø903", "Ø905", "Ø907", "Ø909", "Ø911", "Ø913", "Ø915", "Ø917", "Ø919", "Ø921", "Ø923", "Ø925", "Ø927", "Ø929", "Ø931", "Ø933", "Ø935", "Ø937", "Ø939", "Ø941", "Ø943", "Ø945", "Ø947", "Ø949", "Ø951", "Ø953", "Ø955", "Ø957", "Ø959", "Ø961", "Ø963", "Ø965", "Ø967", "Ø969", "Ø971", "Ø973", "Ø975", "Ø977", "Ø979", "Ø981", "Ø983", "Ø985", "Ø987", "Ø989", "Ø991", "Ø993", "Ø995", "Ø997", "Ø999".

# TZB Turbine motors

Boost your productivity and save energy

# TZB Turbine motors

Atlas Copco has been the trusted source for air drive innovation for more than 50 years. We serve a wide variety of customers across the globe, offering sustainable productivity, in an even wider array of applications.

The TZB is geared for high torque applications and capable of maintaining stable speed under load. A turbine motor that brings innovation and efficiency in tough applications.



Fluid network installation and maintenance



Automation and handling

## Industry requirements

- Energy savings
- Stable speed under load
- Clean emissions
- Operator comfort
- Lightweight and compact
- Durability
- Safe in explosive environments



## Features and benefits

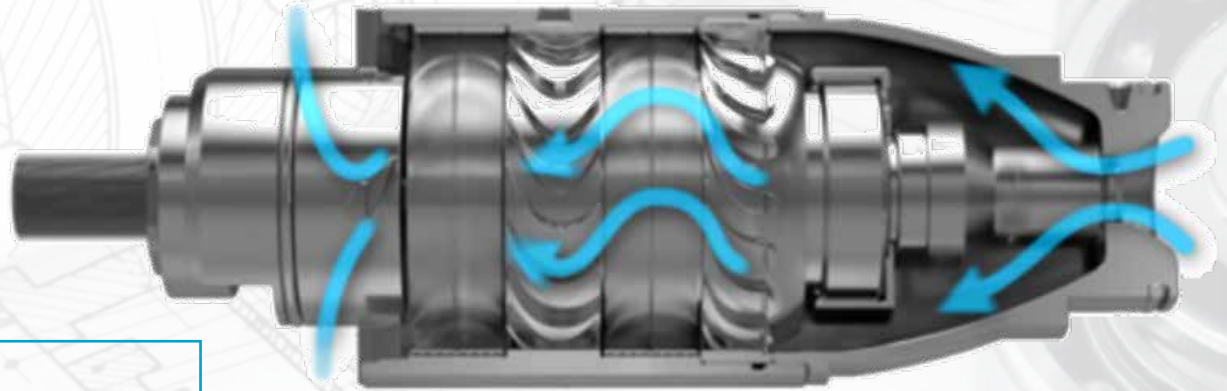
- High efficiency
- Governor for speed control
- Lubrication free
- Low noise level
- High power to weight ratio
- Long service life
- ATEX certified

EX II 2GD h T4 IIC T135°C X  
-20°C ≤ Ta ≤ 60°C

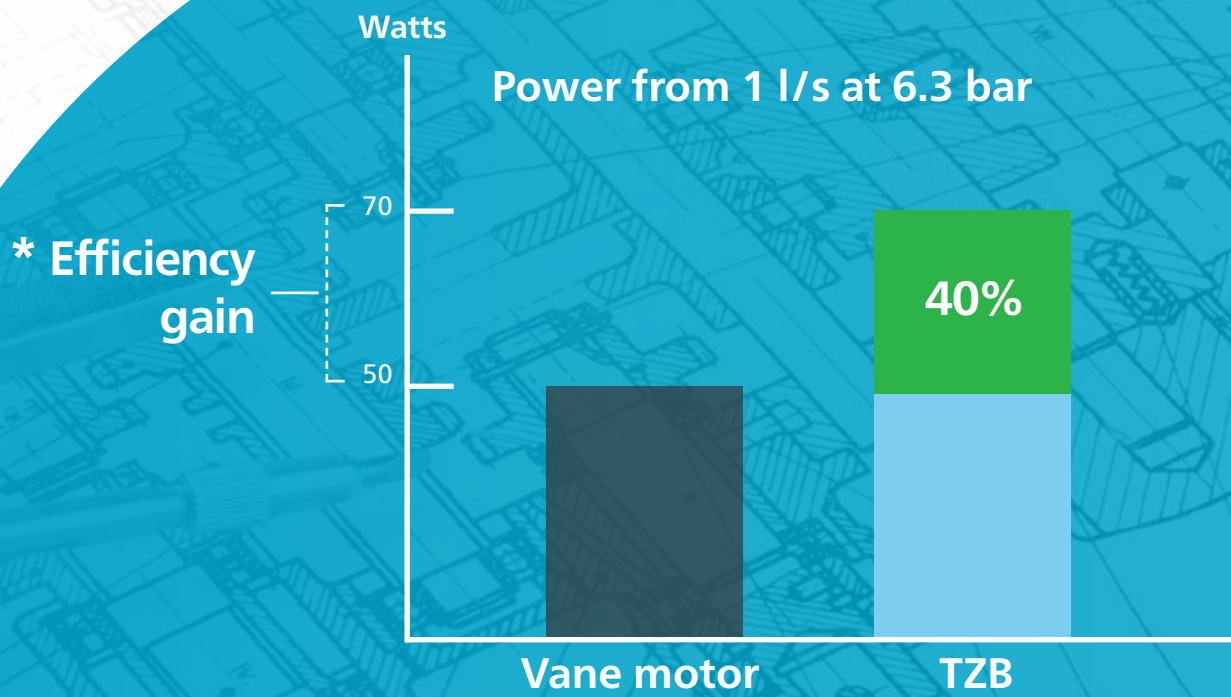


# Turbine motor for energy saving

Boost your productivity and save energy with turbine technology.

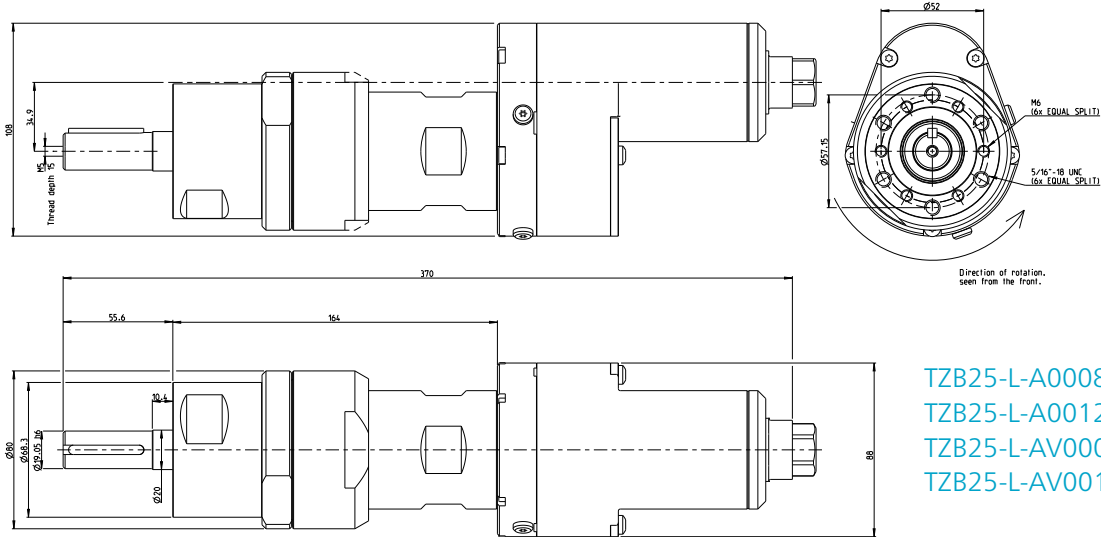


- 2.8 KW
- \* 40% more efficient
- Low friction
- Stable speed under load

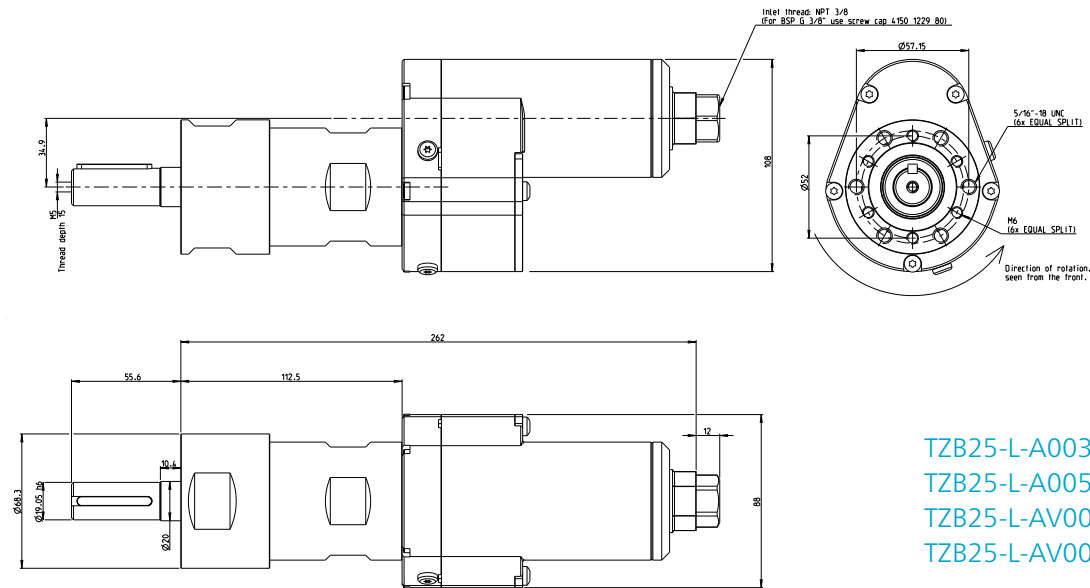


# TZB 25 - 3/4" output shaft

Dimensional drawings



TZB25-L-A0008-14  
 TZB25-L-A0012-14  
 TZB25-L-AV0008-14  
 TZB25-L-AV0012-14



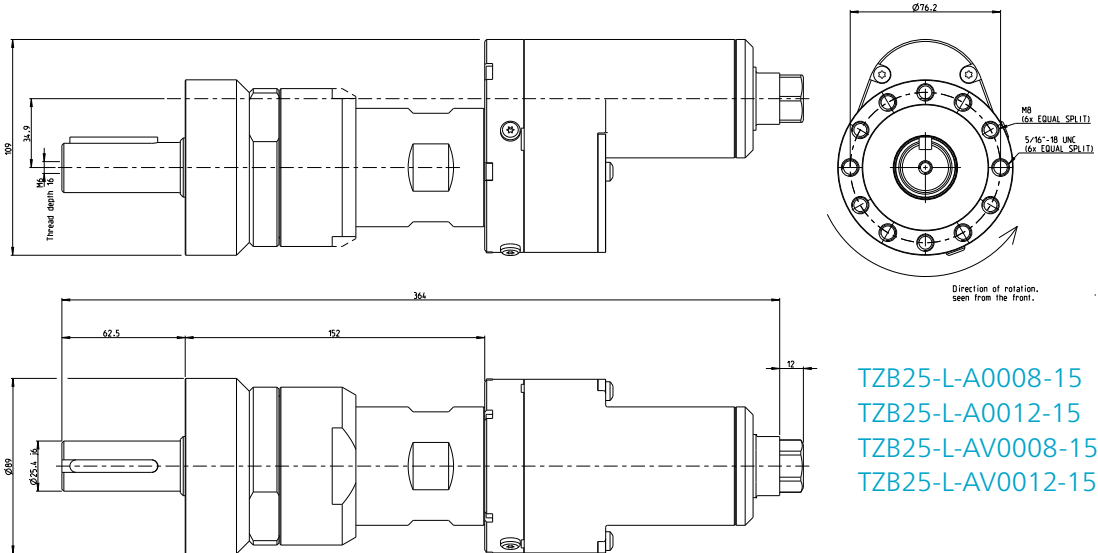
TZB25-L-A0032-14  
 TZB25-L-A0050-14  
 TZB25-L-AV0032-14  
 TZB25-L-AV0053-14

Technical data at a pressure of 6.3 bar (91 psi)

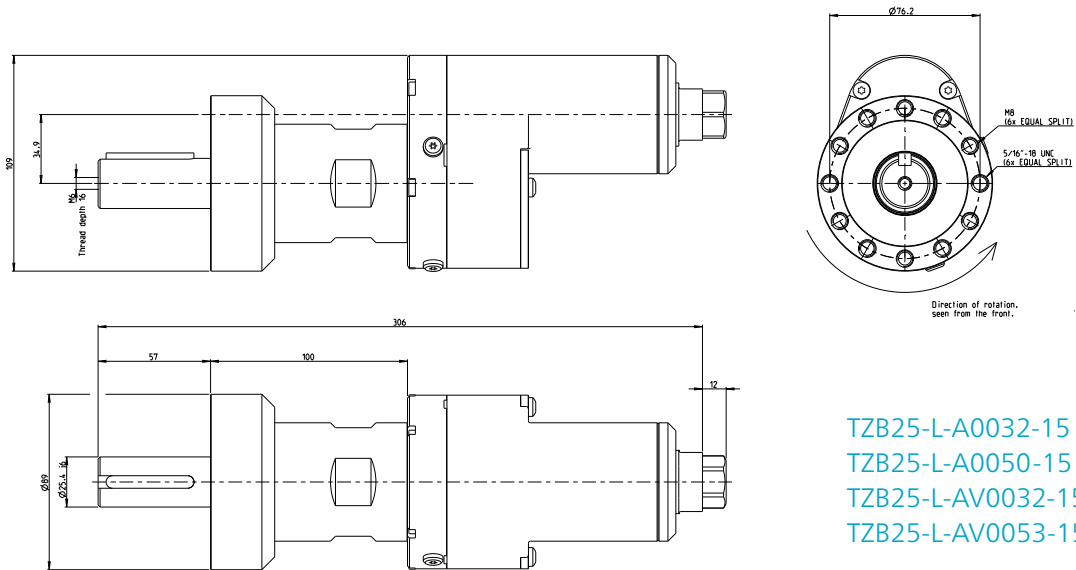
Model	Max output		Speed at max output rpm	Torque at max output		Min starting torque		Stall torque Nm	Stall torque lb-ft	Free speed rpm	Air consumption at max output		Air consumption at idling		Weight		Shaft loading code	Ordering No.
	kW	hp		Nm	lb-ft	Nm	lb-ft				l/s	cfm	l/s	cfm	kg	lb		
TZB25-L-A0008-14	2.7	3.6	70	370	270	680	500	700	510	80	40	85	10	20	5.3	11.7	h	8411 3100 16
TZB25-L-A0012-14	2.7	3.6	110	230	170	440	325	460	340	120	40	85	10	20	5.3	11.7	h	8411 3100 24
TZB25-L-A0032-14	2.8	3.8	280	95	70	165	120	170	125	320	40	85	10	20	3.5	7.7	d	8411 3100 32
TZB25-L-A0050-14	2.8	3.8	450	60	45	110	80	110	80	500	40	85	10	20	3.5	7.7	d	8411 3100 40
TZB25-L-AV0008-14	2.7	3.6	70	380	280	680	500	705	520	80	40	85	10	20	5.3	11.7	h	8411 3100 57
TZB25-L-AV0012-14	2.7	3.6	100	270	200	470	345	490	360	115	40	85	10	20	5.3	11.7	h	8411 3100 65
TZB25-L-AV0032-14	2.8	3.8	280	100	75	165	120	170	125	320	40	85	10	20	3.5	7.7	d	8411 3100 73
TZB25-L-AV0053-14	2.8	3.8	470	60	45	100	75	105	75	530	40	85	10	20	3.5	7.7	d	8411 3100 81

# TZB 25 - 1" output shaft

Dimensional drawings



TZB25-L-A0008-15  
 TZB25-L-A0012-15  
 TZB25-L-AV0008-15  
 TZB25-L-AV0012-15



TZB25-L-A0032-15  
 TZB25-L-A0050-15  
 TZB25-L-AV0032-15  
 TZB25-L-AV0053-15

Technical data at a pressure of 6.3 bar (91 psi)

Model	Max output		Speed at max output	Torque at max output		Min starting torque		Stall torque	Stall torque	Free speed	Air consumption at max output		Air consumption at idling		Weight		Shaft loading code	Ordering No.
	kW	hp	rpm	Nm	lb-ft	Nm	lb-ft	Nm	lb-ft	rpm	l/s	cfm	l/s	cfm	kg	lb		
TZB25-L-A0008-15	2.7	3.6	70	370	270	680	500	700	510	80	40	85	10	20	5.6	12.3	h	8411 3100 17
TZB25-L-A0012-15	2.7	3.6	110	230	170	440	325	460	340	120	40	85	10	20	5.6	12.3	h	8411 3100 25
TZB25-L-A0032-15	2.8	3.8	280	95	70	165	120	170	125	320	40	85	10	20	3.8	8.4	d	8411 3100 33
TZB25-L-A0050-15	2.8	3.8	450	60	45	110	80	110	80	500	40	85	10	20	3.8	8.4	d	8411 3100 41
TZB25-L-AV0008-15	2.7	3.6	70	380	280	680	500	705	520	80	40	85	10	20	5.6	12.3	h	8411 3100 58
TZB25-L-AV0012-15	2.7	3.6	100	270	200	470	345	490	360	115	40	85	10	20	5.6	12.3	h	8411 3100 66
TZB25-L-AV0032-15	2.8	3.8	280	100	75	165	120	170	125	320	40	85	10	20	3.8	8.4	d	8411 3100 74
TZB25-L-AV0053-15	2.8	3.8	470	60	45	100	75	105	75	530	40	85	10	20	3.8	8.4	d	8411 3100 82

## Direction and design

**Available in clockwise and counter clockwise direction**

*See data for A and AV models in the technical information table.*



1" output shaft



3/4" output shaft

**The TZB has a compact design with two mounting options for easy installation as standard.**

**Designed and built for tough applications, the TZB outlasts and outperforms.**





**Atlas Copco AB**

(publ) SE-105 23 Stockholm, Sweden

Phone: +46 8 743 80 00

Reg. no: 556014-2720

[atlascopco.com](http://atlascopco.com)

